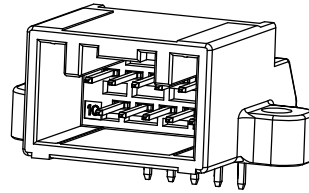
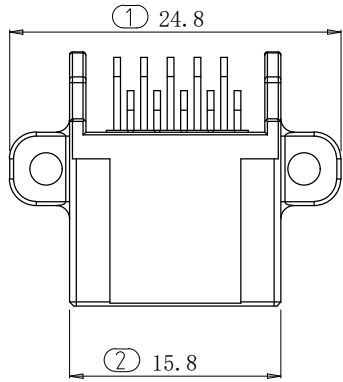


客户图

Rev.	ECN No.	DESCRIPTION
A	ECN221214-004	INITIAL RELEASE
B	ECN230308-003	CHANGE COLOR
C	ECN230422-002	STRUCTURAL OPTIMIZATION

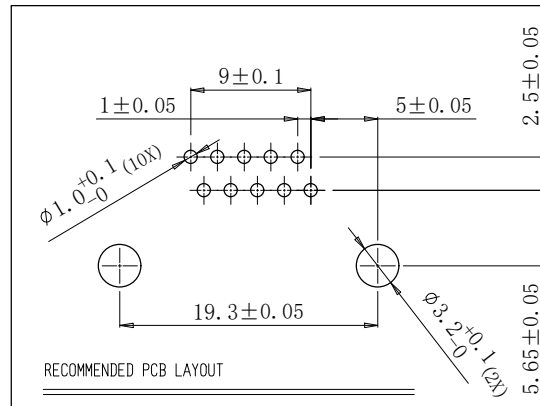
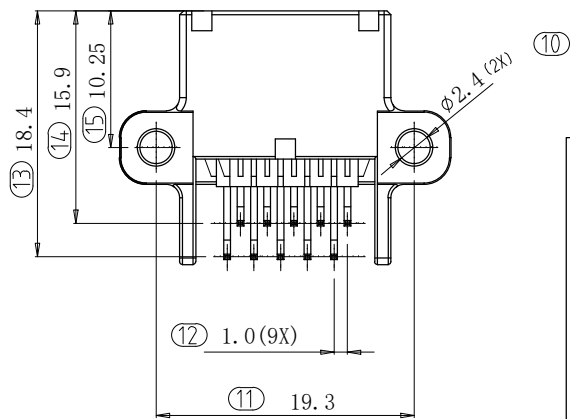
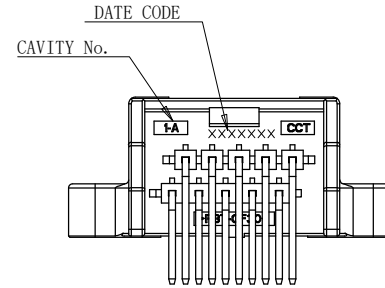
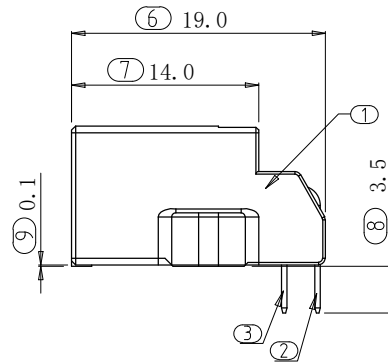
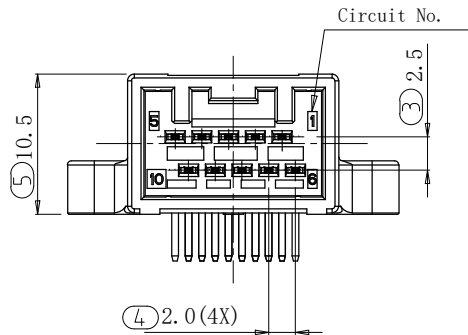
ROHS



NOTE

- Current rating: 3A AC,DC(0.3mm<sup>2</sup>)
- Voltage rating: 50V AC,DC
- Temperature range: -40°C to 105°C  
(including temperature rise in applying electrical current)
- Insulation resistance: 100MΩ Min.
- Contact resistance: Initial value:15mΩ Max.  
After environmental tests:15mΩ Max.
- Withstanding voltage:1000 VAC/minute
- Compliant with ROHS
- DATE CODE:Seven code in total XXXXXX

Year, two code    A :day shift  
Month, two code    B :night shift  
Date, two code



BOM

NO.	NAME	MATERIAL	FINISH	QUANTITY
3	SHORT MALE PIN	COPPER ALLOY	Sn OVER Ni	5
2	LONG MALE PIN	COPPER ALLOY	Sn OVER Ni	5
1	HOUSING	PBT-GF 30 (Blue)		1

TOLERANCES UNLESS OTHERWISE SPECIFIED		科信成精密技术 (江苏) 有限公司 COCENTRA PRECISION TECHNOLOGY (JIANGSU) Co. LTD.				
X.	±0.35	X.	±2°			
.X	±0.30	.X	±1°			
.XX	±0.25	.XX	±0.5°			
SERIES: MEC 10 PIN CONNECTOR		TITLE: CUSTOMER DRAWING FOR MEC 10 PIN CONN.				
APPD: Simon Mou 2023/04/22		PART No.: BMB12104-B21-TY				
CKD: Daivid Wang 2023/04/22		DWG No.: 307-0000-0412				
DR: N.Wang 2023/04/22						
	UNITS	MAT'L	FINISH	SCALE	SHEET	REV.
	mm	BOM	N/A	N/A	1/1	C

THESE DRAWINGS AND SPECIFICATIONS ARE THE PRIOR WRITTEN CONSENT OF COCENTRA PRECISION TECHNOLOGY (JIANGSU) Co. LTD. AND SHALL NOT BE REPRODUCED, COPIED OR USED IN ANY MANNER WITHOUT THE PRIOR WRITTEN CONSENT OF COCENTRA PRECISION TECHNOLOGY (JIANGSU) Co. LTD.