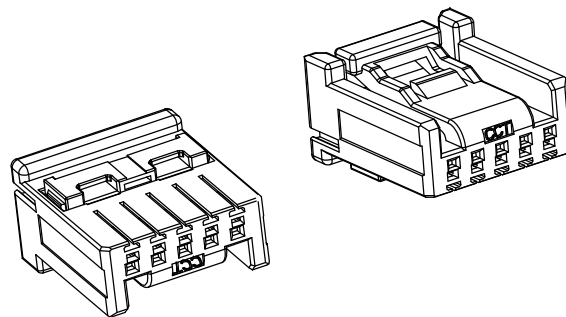
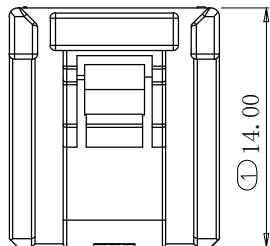


客户图

ROHS

Rev.	ECN No.	DESCRIPTION
A	ECN221214-001	INITIAL RELEASE
B	ECN230308-025	Product color change



NOTE

- Applicable wire: AESSX 0.3mm², UL3265 0.3mm², Equivalent to AWG#22, Insulation O.D. Ø1.5mm Max.
- Compilcant with ROHS
- TPA二次锁扣后端子保持力: 30N Min.
- DATE CODE: 共计七位 XXXXXXX

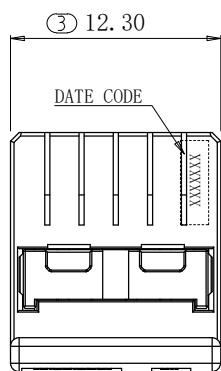
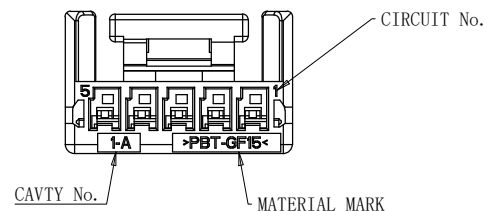
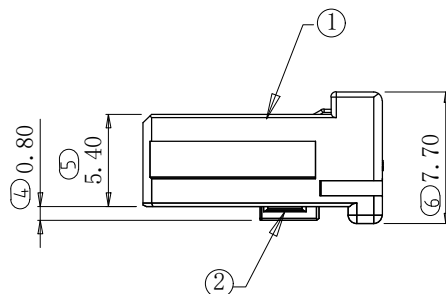
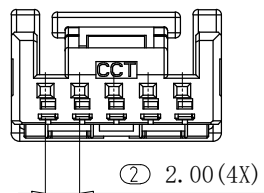
年份, 两位数字

月份, 两位数字

班别 A: 白班

B: 夜班

日期、两位数字



BOM

2	TPA	PBT-GF15 (Black)	1
1	HOUSING	PBT-GF15 (Blue)	1
NO.	NAME	MATERIAL	QUANTITY
TOLERANCES UNLESS OTHERWISE SPECIFIED		科信成精密技术(江苏)有限公司 COCENTRA PRECISION TECHNOLOGY (JIANGSU) Co. LTD.	
X.	±0.35	X.	±2°
.X	±0.30	.X	±1°
.XX	±0.25	.XX	±0.5°
THESE DRAWINGS AND SPECIFICATIONS ARE THE PRIOR WRITTEN CONSENT OF COCENTRA PRECISION TECHNOLOGY (JIANGSU) Co. LTD. AND SHALL NOT BE REPRODUCED, COPIED OR USED IN ANY MANNER WITHOUT THE PRIOR WRITTEN CONSENT OF COCENTRA PRECISION TECHNOLOGY (JIANGSU) Co. LTD.		SERIES: MEC 5 PIN FEMALE CONN.	TITLE: CUSTOMER DRAWING FOR MEC 5 PIN FEMALE CONN.
		APPD: Simon Mou 2023/3/8	PART No.: BMP205-B11-PB
		CKD: Daivd Wang 2023/3/8	DWG No.: 307-0000-0415
		DR: N.Wang 2023/3/8	
	UNITS mm	MAT'L BOM	FINISH N/A
	SCALE N/A	SHEET 1/1	REV. B