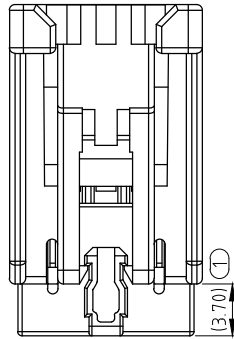


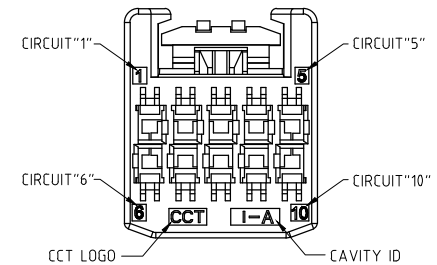
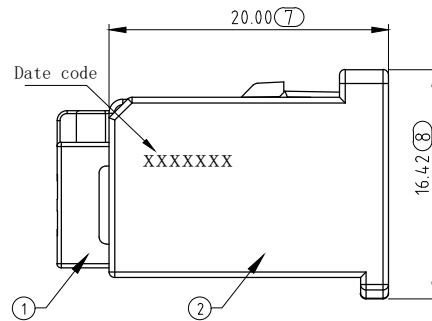
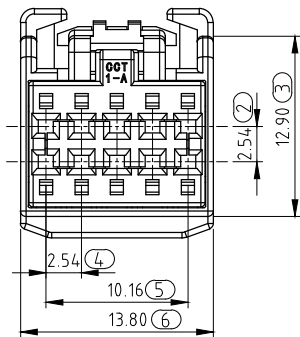
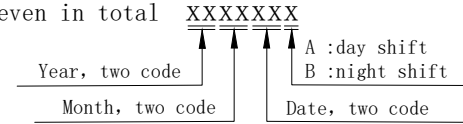


|      |               |           |
|------|---------------|-----------|
| REV. | ECN NO.       | APPD.     |
| A    | ECN230412-012 | Simon Mou |
| B    | ECN230717-002 | Simon Mou |
|      |               |           |



NOTE

- 1. Applicable wire size: 0.3 ~ 0.5mm<sup>2</sup>, Insulation O.D 1.9 mm Max.
- 2. Terminal from housing extraction force after TPA secondary lock: 30N Min.
- 3. Date code: Seven in total XXXXXXX



BOM

| 1   | TPA     | PBT-GF15 (Blue)  | 1        |
|-----|---------|------------------|----------|
| 2   | HOUSING | PBT-GF15 (Black) | 1        |
| NO. | NAME    | MATERIAL         | QUANTITY |

|   |      |          |  |           |                      |                      |  |
|---|------|----------|--|-----------|----------------------|----------------------|--|
| TOLERANCES UNLESS OTHERWISE SPECIFIED   |      | UNITS mm | <b>COCENTRA</b> 科信成精密技术 (江苏) 有限公司<br>COCENTRA PRECISION TECHNOLOGY (JIANGSU) Co. LTD |           |                      |                      |  |
| X.±   | /    | X'.±     | MATERIAL   | DWG NAME: | CUSTOMER DRAWING     | TITLE:               | HOUSING AND TPA FOR CCTAIT 10 PIN PLUG |
| .X±   | /    | .X'±     |  | FINISH    | APPD:                | Simon Mou 2023/07/17 | PART NO.:                              |
| .XX±  | 0.30 | .XX'±    | 0.5'   | Q'TY      | NA                   | CKD:                 | Daivd Wang 2023/07/17                  |
| THESE DRAWINGS AND SPECIFICATIONS ARE THE PRIOR WRITTEN CONSENT OF COCENTRA PRECISION TECHNOLOGY (JIANGSU) Co. LTD. AND SHALL NOT BE REPRODUCED, COPIED OR USED IN ANY MANNER WITHOUT THE PRIOR WRITTEN CONSENT OF COCENTRA PRECISION TECHNOLOGY (JIANGSU) Co. LTD. |      |          |  | DR:       | B.J. Wang 2023/07/17 | DWG NO.:             | 307-0000-0422                          |
|   |      |          |  | SCALE     | 1:1                  | SHEET                | 1/1                                    |