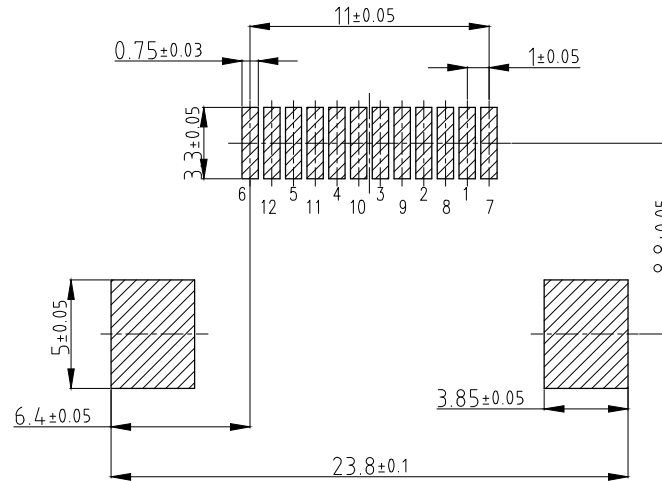
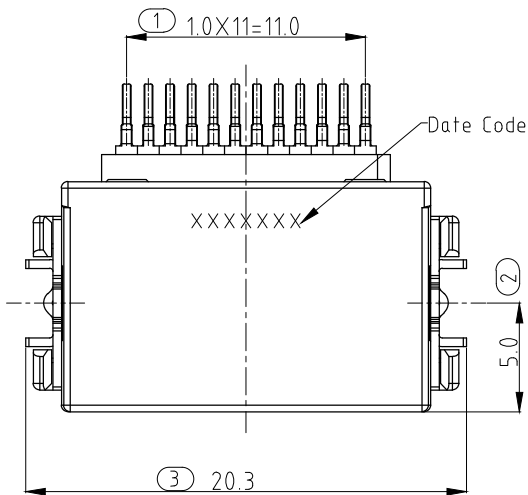
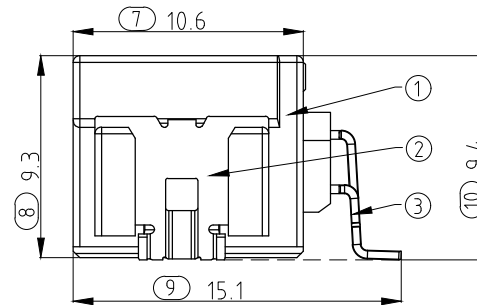
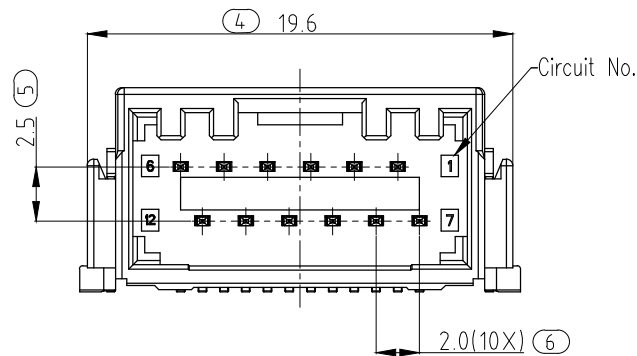
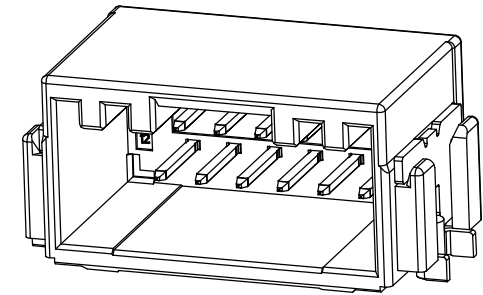


RoHS2.0

REV.	ECN NO.	APPD.
X1	INITIAL RELEASE	Alvin Zhang
X2	20231013-014	Alvin Zhang



RECOMMENDED PCB LAYOUT (COMPONENT SIDE VIEW)



NOTE:

- 额定电流: 3A AC, DC MAX. (0.3mm²)
- 额定电压: 50V AC, DC
- 温度范围: -40°C to 125°C (包括施加电流时的温升)
- 绝缘电阻: 100MΩ Min., DC 500V
- 接触电阻:
初态: 15mΩ Max. 环境测试后: 15mΩ Max.
- 耐压: 1000 VAC/分钟
- DATE CODE: XXXXXX

年: 两码 A : 白班
月: 两码 B : 夜班
日期: 两码

ITEM	NAME	MATERIAL	Q'TY	REMARK
3	MALE TERMINAL	BRASS	12	Sn OVER Ni
2	TAB	BRASS	2	Sn OVER Ni
1	HOUSING	LCP	1	BLACK, UL94-V0

TOLERANCES UNLESS OTHERWISE SPECIFIED		UNITS	COCENTRA® 科信成精密技术 (江苏) 有限公司 COCENTRA PRECISION TECHNOLOGY (JIANGSU) Co. LTD		
X± 0.35	X'± 2°	mm	MAT'L	NA	DWG NAME: CUSTOMER DRAWING
.X± 0.30	.X'± 1.0°		FINISH	NA	TITLE: CCTCPM12PIN板端连接器 (黑色)
.XX± 0.25	.XX'± 0.50°		Q'TY	NA	APPD: David Wang 2023/10/13
THESE DRAWINGS AND SPECIFICATIONS ARE THE PRIOR WRITTEN CONSENT OF COCENTRA PRECISION TECHNOLOGY (JIANGSU) Co. LTD. AND SHALL NOT BE REPRODUCED, COPIED OR USED IN ANY MANNER WITHOUT THE PRIOR WRITTEN CONSENT OF COCENTRA PRECISION TECHNOLOGY (JIANGSU) Co. LTD.			PART NO.: BMB12124-B21-TR		DWG NO.: 307-0000-0447
			DR: Y. P. Chen 2023/10/13	SCALE: NA	SHEET: 1/1