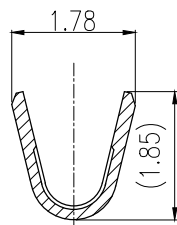
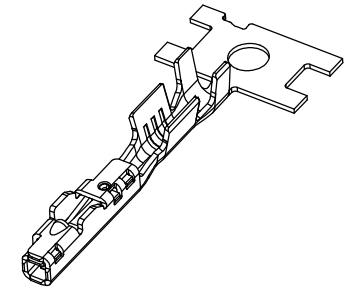
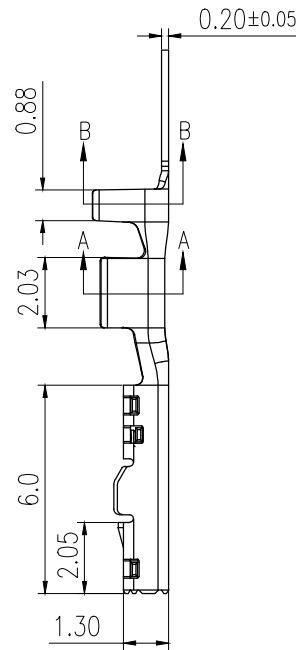
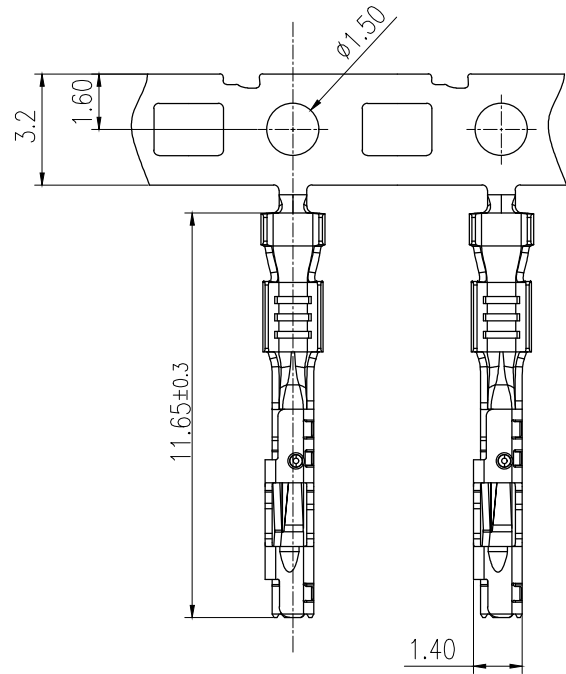
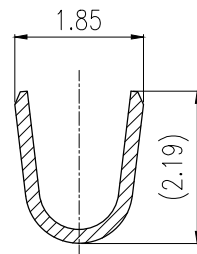


RoHS

REV.	ECN NO.	APPD.
X1	INITIAL RELEASE	Alvin Zhang



SECTION: A-A
SCALE: 2:1



SECTION: B-B
SCALE: 2:1

技术要求:

1. 原材料: COPPER ALLOY, 热浸锡1~3μ;
2. 适用线材: 导体0.3mm², 绝缘OD1.5mm Max;
3. 此零件所包含环境管理物质应符合科信成系统文件QW-QA-10之规定。

TOLERANCES UNLESS OTHERWISE SPECIFIED		UNITS	COCENTRA [®] 科信成精密技术 (江苏) 有限公司 COCENTRA PRECISION TECHNOLOGY (JIANGSU) Co. LTD			
X.±	X.*± 2.0°	MAT'L	DWG NAME: CUSTOMER DRAWING		TITLE: TERMINAL FOR MEC/CPM	
.X± 0.20	.X.*± 1.0°	NA	APPD: David Wang 2023/12/02		PART NO.: 058-000S-0273	
.XX± 0.20	.XX.*± 0.50°	FINISH	CKD:		DWG NO.: 307-0000-0409	
THESE DRAWINGS AND SPECIFICATIONS ARE THE PRIOR WRITTEN CONSENT OF COCENTRA PRECISION TECHNOLOGY (JIANGSU) Co. LTD. AND SHALL NOT BE REPRODUCED, COPIED OR USED IN ANY MANNER WITHOUT THE PRIOR WRITTEN CONSENT OF COCENTRA PRECISION TECHNOLOGY (JIANGSU) Co. LTD.		Q'TY	DR: BJ. Wang 2023/12/02		SCALE	SHEET
		NA			NA	1/1
						REV.
						X1