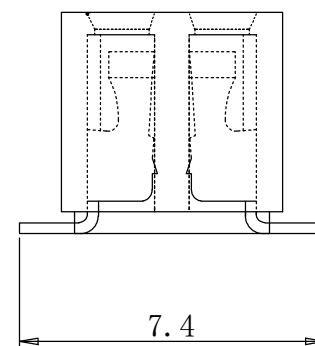
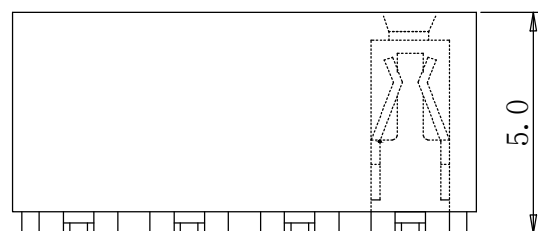
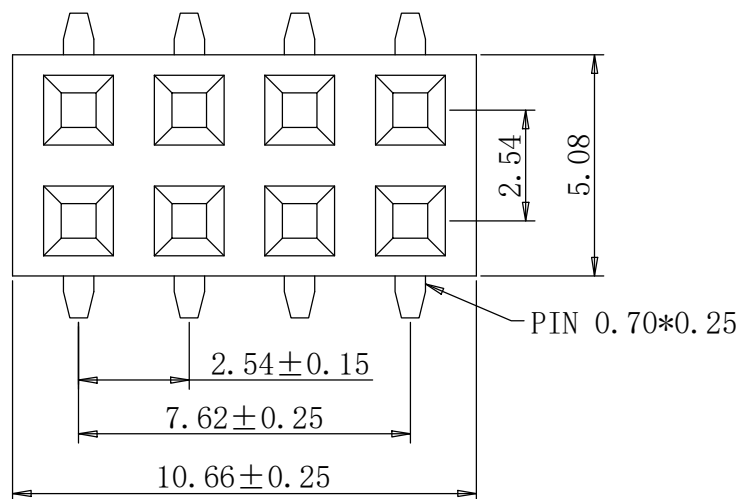




REV.	ECN NO.	APPD.
A	ECN230130-002	Simon Mou
B	ECN230217-020	Simon Mou
C	ECN230609-007	Simon Mou

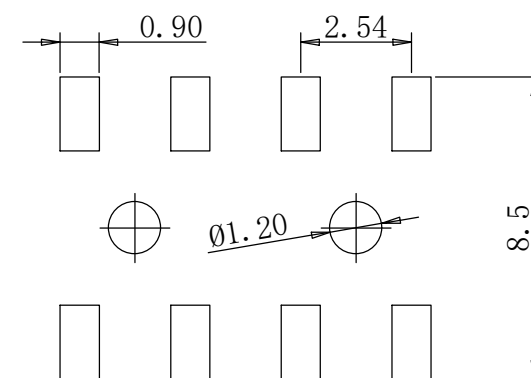


Specifications:

1. Current Rating: 3.0Amps;
2. Insulation resistance: 1000MΩ Min;
3. Dielectric withstanding: AC 600V;
4. Contact Resistance: 20mΩ Max;
5. Operating Temperature: -40°C ~ +105°C;

Materials:

1. Contact Material: Copper Alloy;
2. Insulator Material: High Temperature;
3. Thermoplastic, UL 94V-0 Nylon;
4. Finish: Gold over Nickle;
5. All materials must meet ROHS requirements.



Recommended P. C. Board Hole Layout

TOLERANCES UNLESS OTHERWISE SPECIFIED		UNITS	COCENTRA® 科信成精密技术 (江苏) 有限公司 COCENTRA PRECISION TECHNOLOGY (JIANGSU) Co. LTD					
X± 0.50	X'± 5°	mm	MAT'L	DWG NAME:	TITLE: 2.54×2.54 Female Header Dual Row SMT			
.X± 0.38	.X'± 3°			CUSTOMER DRAWING				
.XX± 0.25	.XX'± 2°	FINISH	NA	APPD:	Simon Mou 2023/06/09	PART NO.:	PHFR2049-2	
THESE DRAWINGS AND SPECIFICATIONS ARE THE PRIOR WRITTEN CONSENT OF COCENTRA PRECISION TECHNOLOGY (JIANGSU) Co. LTD. AND SHALL NOT BE REPRODUCED, COPIED OR USED IN ANY MANNER WITHOUT THE PRIOR WRITTEN CONSENT OF COCENTRA PRECISION TECHNOLOGY (JIANGSU) Co. LTD.				Q'TY	NA	CKD:	David Wang 2023/06/09	DWG NO.:
		DR:	BJ. Wang 2023/06/09			SCALE	SHEET	REV.
						1:1	1/1	C