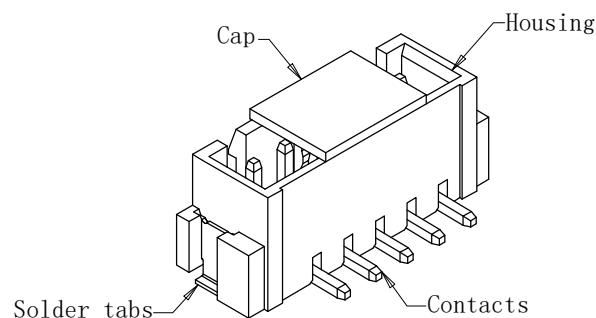
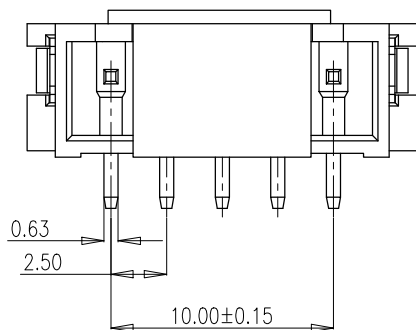
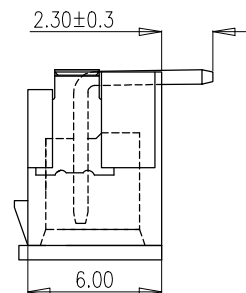
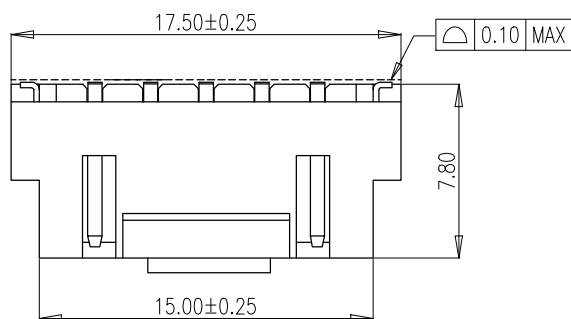




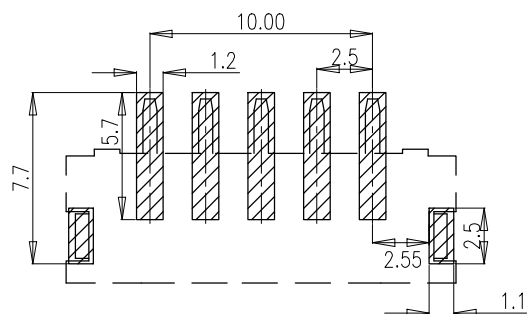
REV.	ECN NO.	APPD.
A	ECN230216-005	Simon Mou
B	ECN230224-001	Simon Mou
C	ECN230609-006	Simon Mou



3D VIEWS

Specifications:

1. Contact resistance: $\leq 20\text{m}\Omega$;
2. Insulation resistance: $\geq 1000\text{M}\Omega$;
3. Rated voltage: 250V AC DC;
4. Rated current: 3.0A AC DC;
5. Withstand voltage: 1000V AC/minute;
6. Temperature range: $-25^{\circ}\text{C} \sim +105^{\circ}\text{C}$;
7. Housing: LCP, UL94 V-0, Natural;
8. Cap: LCP, UL94 V-0, Natural;
9. Contacts: Brass/Sn;
10. Solder tabs: Phosphor Bronze/Sn.



RECOMMENDED PCB LAYOUT

TOLERANCES UNLESS OTHERWISE SPECIFIED		UNITS	COCENTRA 科信成精密技术 (江苏) 有限公司 COCENTRA PRECISION TECHNOLOGY (JIANGSU) Co. LTD			
X± 0.30	X°± 5°	mm	MAT'L	NA	DWG NAME: CUSTOMER DRAWING	
.X± 0.25	.X°± 3°		FINISH	NA	TITLE: 2.50mm Disconnect table crimp style Wafer 5PIN(卡扣结构)	
.XX± 0.15	.XX°± 2°		Q'TY	NA	APPD: Simon Mou 2023/06/09	PART NO.: PHMR1054-2
THESE DRAWINGS AND SPECIFICATIONS ARE THE PRIOR WRITTEN CONSENT OF COCENTRA PRECISION TECHNOLOGY (JIANGSU) Co. LTD. AND SHALL NOT BE REPRODUCED, COPIED OR USED IN ANY MANNER WITHOUT THE PRIOR WRITTEN CONSENT OF COCENTRA PRECISION TECHNOLOGY (JIANGSU) Co. LTD.				CKD: David Wang 2023/06/09	DWG NO.: 301-0000-0378	
				DR: BJ. Wang 2023/06/09		
		SCALE	SHEET	REV.		
		1:1	1/1	C		