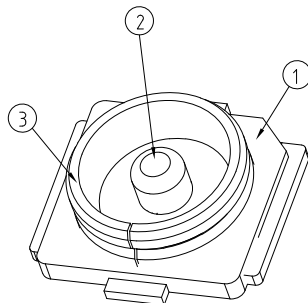
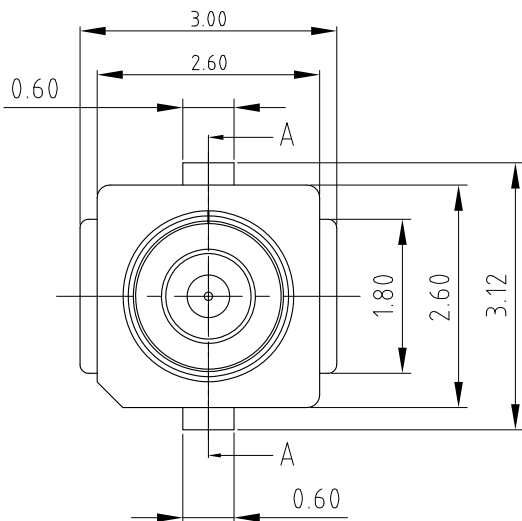
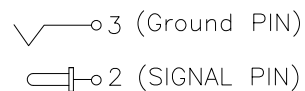


CUSTOMER DRAWING

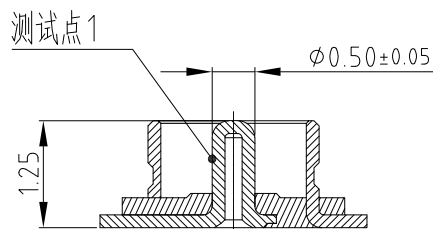
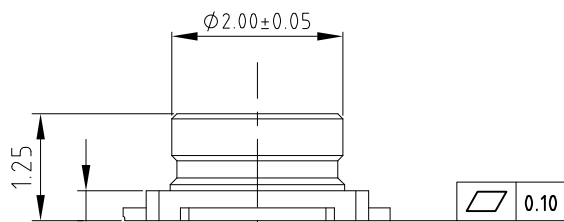


SCHEMATIC



AN=ANTENNA
 B=BOARD END
 0=STANDARD HEIGHT
 200=OUTER DIAMETER
 GROUND CONTACT PLATING
 1=Au 1u" Min.

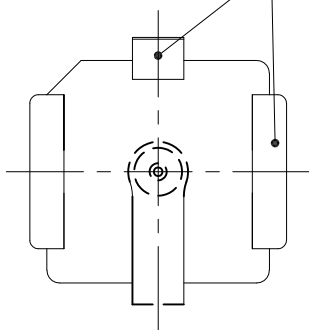
1 2 5
 WITH CHAMFER (5000PCS/R)
 2=STREAM CODE
 1=1st GENERATION



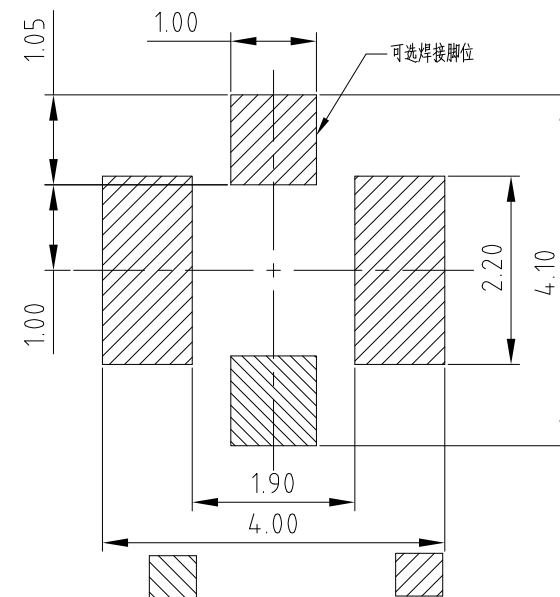
Section: A-A

- NOTES:
- FREQUENCY RANGE:
DC TO 8GHZ (VSWR: 1.3MAX AT 0.1~3GHZ, 1.4MAX AT 3~6GHZ, 1.5MAX AT 6~8GHZ)
 - CHARACTERISTIC IMPEDANCE: 50Ω(NOMINAL);
 - TEMPERATURE: -40°C TO +90°C;
 - RATED VOLTAGE : 60VAC;
 - CONTACT RESISTANCE :
20mΩ Max.(SIGNAL CONTACT)
10mΩ Max.(GROUND CONTACT)
 - WITHSTAND VOLTAGE : 200VAC FOR 1 MINUTE ;
 - INSULATION RESISTANCE : 500MΩ MIN. AT 100VDC;
 - THIS COMPONENT IS HALOGEN FREE.

测试点2



Rev.	ECN No.	DESCRIPTION
A	ECN20180709-001	NEW RELEASE
B	ECN20201208-001	MODIFY THE DRAWING LAYOUT
C	ECN20210417-001	MODIFY NOTES
D	ECN221206-002	ADD DIMENSION NOTATION



SIGNAL CONTACT GROUND CONTACT
 P.C.B DIMENSION (TOP VIEW)
 (TOLERANCE ±0.05)

ITEM	Description	Q'TY	MATERIAL	FINISH
3	GROUND CONTACT	1	COPPER ALLOY	GOLD PLATING OVER NI PLATED OVERALL.
2	CONTACT	1	COPPER ALLOY	GOLD PLATING OVER NI PLATED OVERALL.
1	HOUSING	1	THERMOPLASTIC	UL94V-0

TOLERANCES UNLESS OTHERWISE SPECIFIED

X.	±0.25	X.°	±2°
.X	±0.20	.X°	±1°
.XX	±0.15	.XX°	±0.5°

COCENTRA 科信成精密技术 (江苏) 有限公司
 COCENTRA PRECISION TECHNOLOGY (JIANGSU) Co. LTD.

SERIES: RF I BOARD END TITLE: RF I H TYPE BOARD END

APPD: Wesley Wang 2022/12/06 PART No.: ANB02001-125

CKD: Ease.zhang 2022/12/06 DWG No.: 307-0000-0193

DR: Y.Wang 2022/12/06

THESE DRAWINGS AND SPECIFICATIONS ARE THE PRIOR WRITTEN CONSENT OF COCENTRA PRECISION TECHNOLOGY (JIANGSU) Co. LTD. AND SHALL NOT BE REPRODUCED, COPIED OR USED IN ANY MANNER WITHOUT THE PRIOR WRITTEN CONSENT OF COCENTRA PRECISION TECHNOLOGY (JIANGSU) Co. LTD.

UNITS	MAT'L	FINISH	SCALE	SHEET	REV.
MM	N/A	N/A	1:1	1/1	D