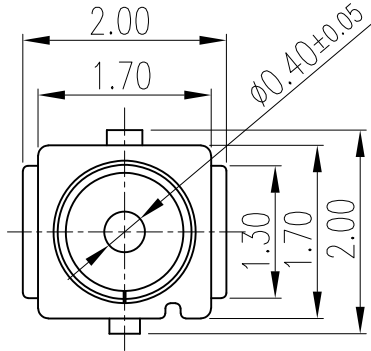
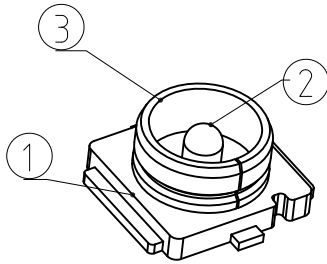
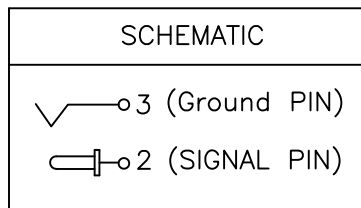
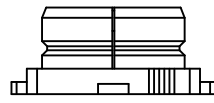
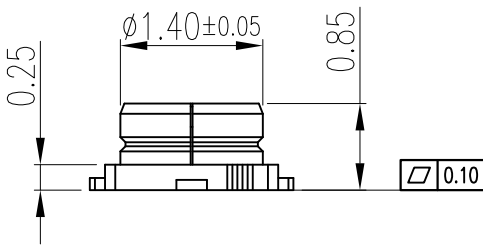
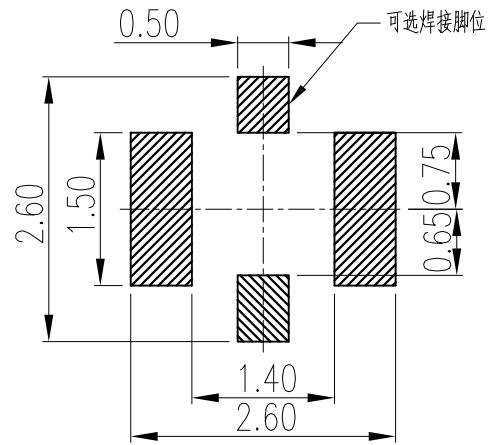


ROHS2.0+HF

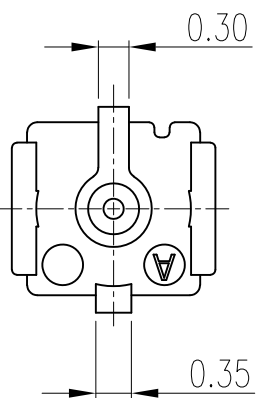
REV.	ECN NO.	APPD.
D	ECN20180610-001	WesleyWang
E	ECN20210227-001	WesleyWang
F	ECN230619-006	Simon Mou



AN B 0 140 1 - 3 2 1
 AN=ANTENNA
 B=BOARD END
 0=STANDARD HEIGHT
 140=OUTER DIAMETER
 GROUND CONTACT PLATING
 1=Au 1u" Min.
 TAPE REEL (5000PCS/R)
 2=STREAM CODE
 3=3rd GENERATION



SIGNAL CONTACT
 GROUND CONTACT
 P.C.B DIMENSION (TOP VIEW)
 (TOLERANCE ± 0.05)



- NOTES:
- FREQUENCY RANGE:
DC TO 8GHZ (VSWR: 1.3Max. AT 0.1~3GHZ, 1.4Max. AT 3~6GHZ, 1.5Max. AT 6~8GHZ)
 - CHARACTERISTIC IMPEDANCE: 50Ω(NOMINAL);
 - TEMPERATURE: -40°C TO +90°C;
 - RATED VOLTAGE : 60VAC;
 - CONTACT RESISTANCE :
20mΩ Max.(SIGNAL CONTACT)
10mΩ Max.(GROUND CONTACT)
 - WITHSTAND VOLTAGE : 200VAC FOR 1 MINUTE ;
 - INSULATION RESISTANCE : 500MΩ Min. AT 100VDC;
 - THIS COMPONENT IS HALOGEN FREE.
 - THE HARMFUL MATERIAL OF THIS PART SHOULD BE COMPLIANCE WITH CCT DOCUMENT QW-QA-10.

3	GROUND CONTACT	1	COPPER ALLOY	GOLD PLATING OVER Ni PLATED OVERALL.
2	CONTACT	1	COPPER ALLOY	GOLD PLATING OVER Ni PLATED OVERALL.
1	HOUSING	1	THERMOPLASTIC	UL94V-0
ITEM	Description	Q'TY	MATERIAL	FINISH

TOLERANCES UNLESS OTHERWISE SPECIFIED		UNITS mm		科信成精密技术 (江苏) 有限公司 COCENTRA PRECISION TECHNOLOGY (JIANGSU) Co.,LTD			
X.± 0.25	X.*± 2'	MAT'L NA					
.X± 0.20	.X*± 1'	FINISH NA		DWG NAME: CUSTOMER DRAWING	TITLE: RF 3代H TYPE BOARD END		
.XX± 0.15	.XX*± 0.5'	Q'TY NA		APPD: Simon Mou 2023/06/30	PART NO.: ANB01401-321		
THESE DRAWINGS AND SPECIFICATIONS ARE THE PRIOR WRITTEN CONSENT OF COCENTRA PRECISION TECHNOLOGY (JIANGSU) Co. LTD. AND SHALL NOT BE REPRODUCED, COPIED OR USED IN ANY MANNER WITHOUT THE PRIOR WRITTEN CONSENT OF COCENTRA PRECISION TECHNOLOGY (JIANGSU) Co. LTD.				CKD: David Wang 2023/06/30	DWG NO.: 307-0000-1003		
				DR: Y.J Yao 2023/06/19	<table border="1"> <tr> <th>SCALE</th> <th>SHEET</th> <th>REV.</th> </tr> <tr> <td>NA</td> <td>1/1</td> <td>F</td> </tr> </table>	SCALE	SHEET
SCALE	SHEET	REV.					
NA	1/1	F					