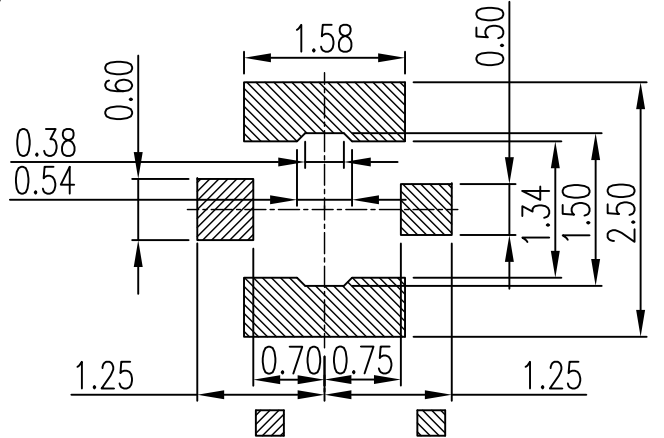
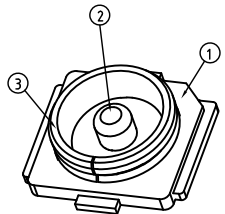
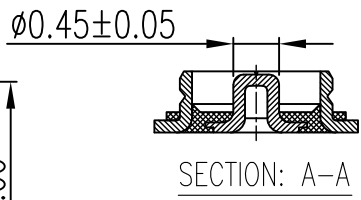
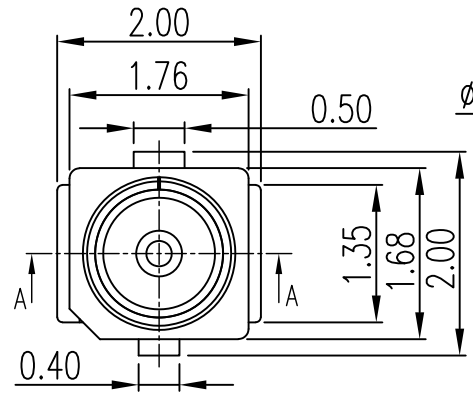


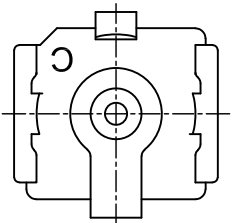
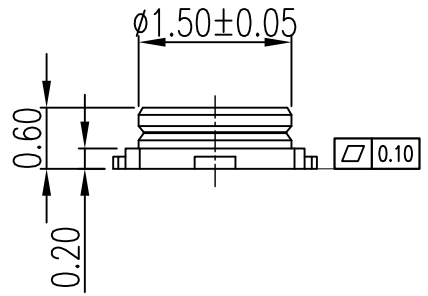
ROHS2.0+HF

REV.	ECN NO.	APPD.
G	ECN221116-016	WesleyWang
H	ECN221208-010	Alvin Zhang
J	ECN230619-007	Simon Mou



SIGNAL CONTACT GROUND CONTACT  
P.C.B DIMENSION (TOP VIEW)  
(TOLERRANCE  $\pm 0.05$ )

AN B 0 150 x - 4 1 1-R  
 AN=ANTENNA  
 B=BOARD END  
 0=产品编码  
 150=包圆直径  
 x=电镀规格  
 1=GOLD FLASH  
 1=TAPE REEL  
 1=厂内区别码  
 4=第四代



- NOTES:
- FREQUENCY RANGE:  
DC TO 8GHZ (VSWR: 1.3Max. AT 0.1~3GHZ,  
1.4Max. AT 3~6GHZ,1.5Max. AT 6~8GHZ)
  - CHARACTERISTIC IMPEDANCE: 50Ω(NOMINAL);
  - TEMPERATURE: -40°C TO +90°C;
  - RATED VOLTAGE : 60VAC;
  - CONTACT RESISTANCE :  
20mΩ Max.(SIGNAL CONTACT)  
10mΩ Max.(GROUND CONTACT)
  - WITHSTAND VOLTAGE : 200VAC FOR 1 MINUTE ;
  - INSULATION RESISTANCE : 500MΩ Min. AT 100VDC;
  - THE HARMFUL MATERIAL OF THIS PART SHOULD BE COMPLIANCE WITH CCT DOCUMENT QW-QA-10.

3	GROUND CONTACT	1	COPPER ALLOY	NI 50u" PLATING OVER, AU 1u" PLATING OVERALL
2	CONTACT	1	COPPER ALLOY	NI 50u" PLATING OVER, AU 1u" PLATING OVERALL
1	HOUSING	1	THERMOPLASTIC	UL94V-0,GF=30%
ITEM	Description	Q'TY	MATERIAL $\Delta$	$\Delta$ FINISH

TOLERANCES UNLESS OTHERWISE SPECIFIED		UNITS	mm		科信成精密技术 (江苏) 有限公司 COCENTRA PRECISION TECHNOLOGY (JIANGSU) Co. LTD	
X.± 0.25	X.*± 2'	MAT'L	$\Delta$	DWG NAME: CUSTOMER DRAWING		
.X± 0.20	.X*± 1'	FINISH	$\Delta$	APPD: Simon Mou 2023/06/25	PART NO.: ANB01501-411-R	
.XX± 0.15	.XX*± 0.5'			CKD: David Wang 2023/06/21	DWG NO.: 307-0000-0033	
THESE DRAWINGS AND SPECIFICATIONS ARE THE PRIOR WRITTEN CONSENT OF COCENTRA PRECISION TECHNOLOGY (JIANGSU) Co. LTD. AND SHALL NOT BE REPRODUCED, COPIED OR USED IN ANY MANNER WITHOUT THE PRIOR WRITTEN CONSENT OF COCENTRA PRECISION TECHNOLOGY (JIANGSU) Co. LTD.		Q'TY	NA	DR: Y.J Yao 2023/06/19	SCALE: NA SHEET: 1/1 REV: J	