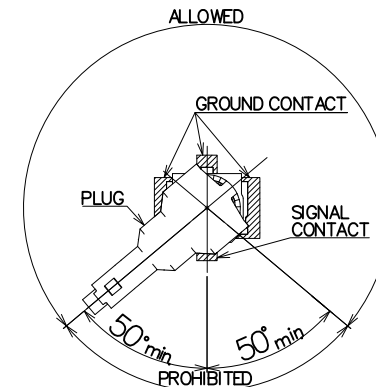
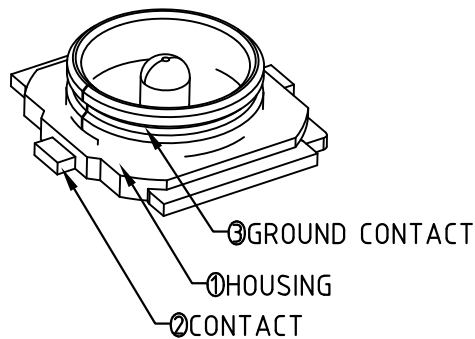
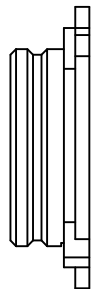
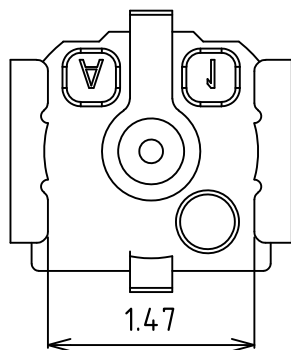
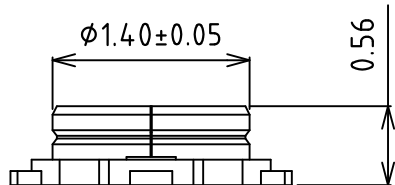
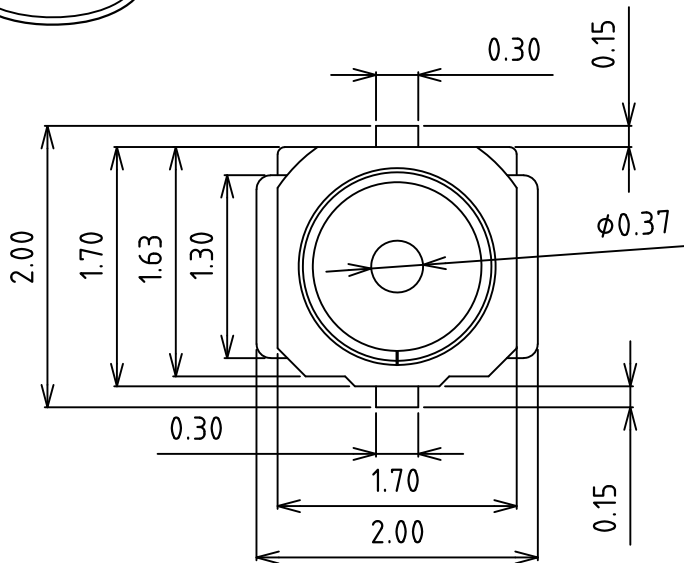


CUSTOMER DRAWING

HSF



NOTES:

- FREQUENCY RANGE:
DC TO 8GHZ (VSWR: 1.3MAX AT 0.1~3GHZ,
1.4MAX AT 3~6GHZ,1.5MAX AT 6~8GHZ)
- CHARACTERISTIC IMPEDANCE: 50Ω(NOMINAL);
- TEMPERATURE: -40°C TO +90°C;
- RATED VOLTAGE : 60VAC;
- CONTACT RESISTANCE :
20mΩ MAX.(SIGNAL CONTACT)
20MΩ MAX.(GROUND CONTACT)
- WITHSTAND VOLTAGE : 200VAC FOR 1 MINUTE MIN;
- INSULATION RESISTANCE : 500MΩ MIN. AT 100VDC;
- THIS COMPONENT IS HALOGEN FREE.

THE PLUG SHALL NOT BE PLACED WITHIN 50 DEGREES ANGLE FROM CENTER OF THE SIGNAL CONTACT. TILT THE PLUG AT LEAST 50 DEGREES FROM THE CENTER OF A SIGNAL CONTACT.

3	GROUND CONTACT	PHOSPHOR BRONZE	GOLD PLATING OVER Ni UNDER PLATING OVERALL.
2	CONTACT	BRASS	GOLD PLATING OVER Ni UNDER PLATING OVERALL.
1	HOUSING	THERMOPLASTIC	LCP
NO.	DESCRIPTION	MATERIAL	FINISH,REMARKS

TOLERANCES UNLESS OTHERWISE SPECIFIED				COCENTRA 科信成精密技术 (江苏) 有限公司 COCENTRA PRECISION TECHNOLOGY (JIANGSU) Co. LTD.						
X.	±0.20	X.°	±2°	SERIES: RF BOARD END		TITLE: RF 5代板端				
.X	±0.15	.X°	±1°	APPD: Wesley.W 2021/10/27		PART No.: ANB16401-511				
.XX	±0.10	.XX°	±0.5°	CKD: Roy Duan 2021/10/27		DWG No.: 307-0000-0393				
THESE DRAWINGS AND SPECIFICATIONS ARE THE PRIOR WRITTEN CONSENT OF COCENTRA PRECISION TECHNOLOGY (JIANGSU) Co. LTD. AND SHALL NOT BE REPRODUCED, COPIED OR USED IN ANY MANNER WITHOUT THE PRIOR WRITTEN CONSENT OF COCENTRA PRECISION TECHNOLOGY (JIANGSU) Co. LTD.				DR: Sh.Ding 2021/10/27	UNITS	MAT'L	FINISH	SCALE	SHEET	REV.
					MM	N/A	N/A	1:1	1/1	A