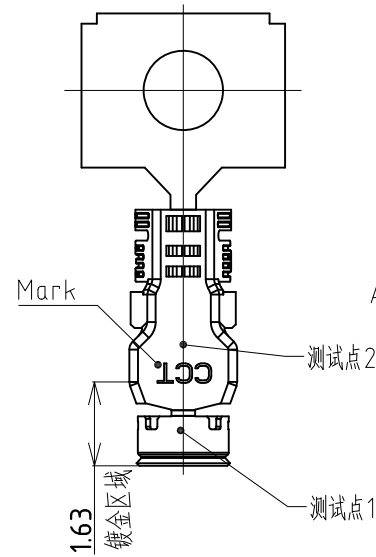
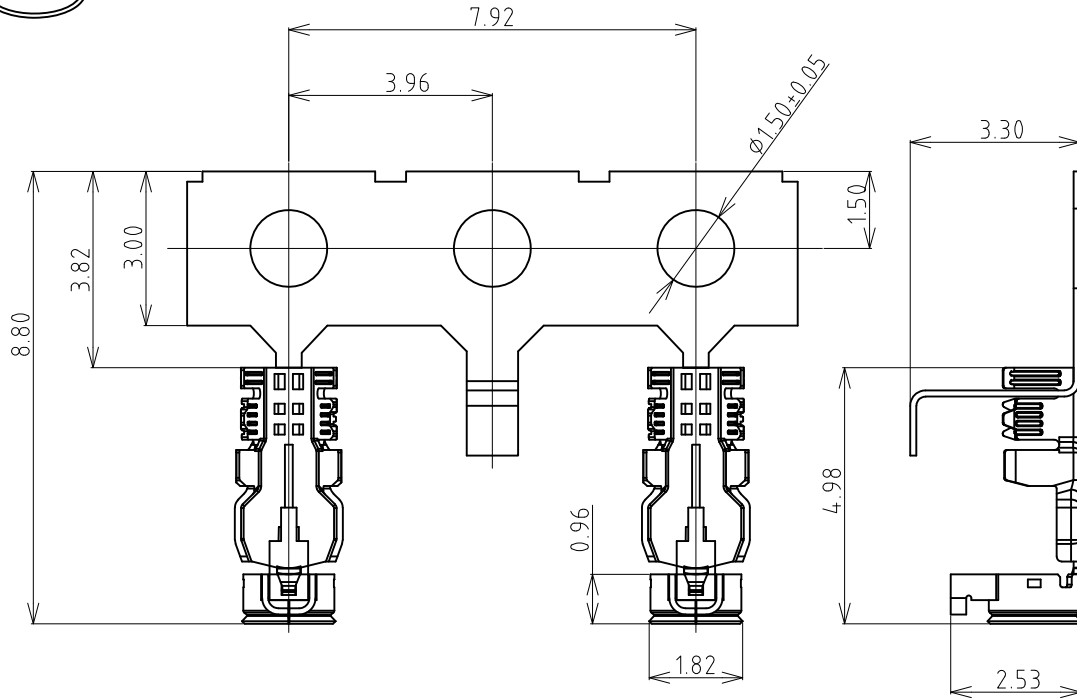


CUSTOMER DRAWING

ROHS2.0+HF

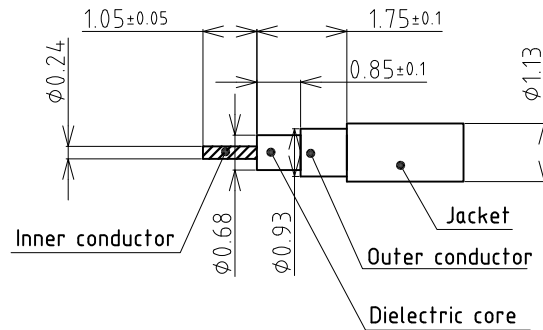
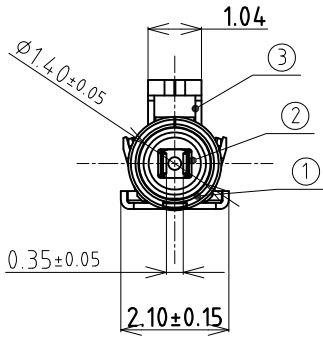


Rev.	ECN No.	DESCRIPTION
A	ECN20200701-001	NEW RELEASE
B	ECN20210305-001	Add Part No. instructions
C	ECN20221013-001	MODIFY Cable retention force

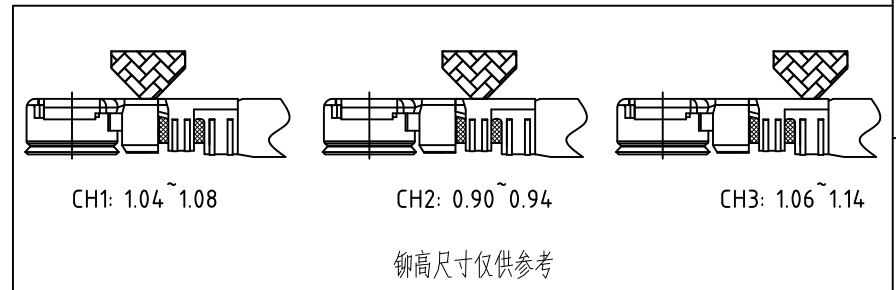
Notes:

- Material and finish(Plating)
 - ① Housing:PBT
 - ② Contact: Phosphor bronze (Au over Ni)
 - ③ Shell: Phosphor bronze (Au半金 over Ni)
- IMPEDANCE: 50 OHM NOMINAL
- FREQUENCY RATING: DC TO 8 GHZ
- VSWR: DC -- 3GHZ 1.3Max.
3GHZ -- 6GHZ 1.5Max.
6GHZ -- 8GHZ 1.6Max.
- Cable retention force 15N min.
- The harmful material of this part should be compliance with CCT document QW-QA-10.

- ANC0113 x -4 x 1
- 1:Housing Black
 - 6:CCT Shell Mark "CCT"
 - 1: Shell Plating Au (半金区域) 1u"
 - Contact Plating Au 1u"



建议剥线参考尺寸



TOLERANCES UNLESS OTHERWISE SPECIFIED				COCENTRA 科信成精密技术 (江苏) 有限公司 COCENTRA PRECISION TECHNOLOGY (JIANGSU) Co. LTD.			
X.	±0.25	.XXX	±2°	SERIES: RF CABLE PLUG CONN.		TITLE: RF4代 PLUG 1.13 C TYPE	
.X	±0.20	X.°	±1°	APPD: Wesley.W 2022/10/13		PART No.: ANC01131-461	
.XX	±0.15	.X°	±0.5°	CKD: Ease.zhang 2022/10/13		DWG No.: 307-0000-0332	
THESE DRAWINGS AND SPECIFICATIONS ARE THE PRIOR WRITTEN CONSENT OF COCENTRA PRECISION TECHNOLOGY (JIANGSU) Co. LTD. AND SHALL NOT BE REPRODUCED, COPIED OR USED IN ANY MANNER WITHOUT THE PRIOR WRITTEN CONSENT OF COCENTRA PRECISION TECHNOLOGY (JIANGSU) Co. LTD.				DR: Y.Wang 2022/10/13			
UNITS MM		MAT'L Notes:1	FINISH △ △	SCALE 1:1	SHEET 1/1	REV. C	