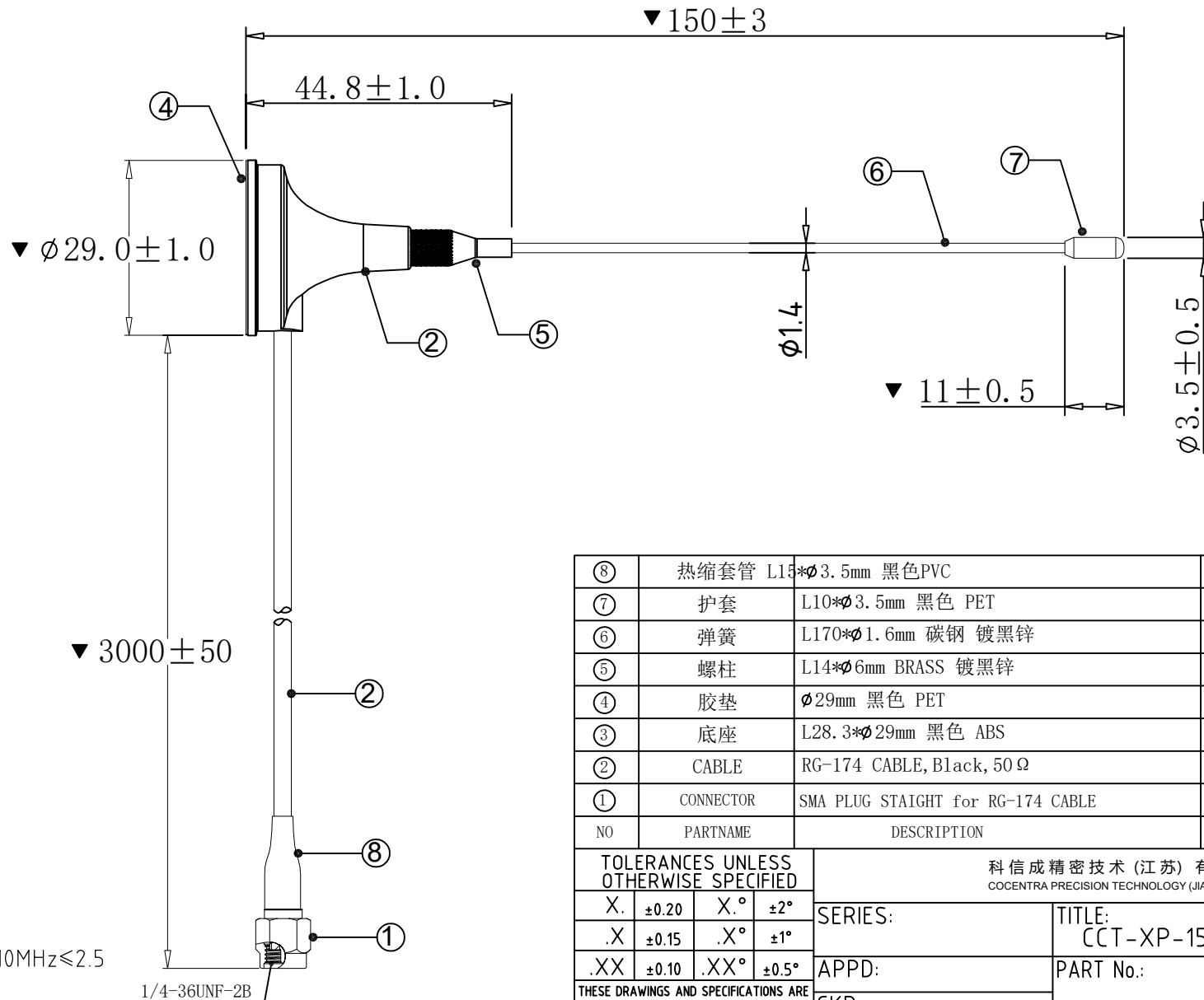


成品图

HSF

Rev.	ECN No.	DESCRIPTION



技术要求:

1. Frequency Range: 470-510MHz
2. Impedance: 50Ω
3. VSWR: 470-510MHz ≤ 2.5
4. Polanization: Vertical
5. Radlation: Omni
6. Gain: 2.0dBi
7. 必须测试产品的电压驻波比 (VSWR): 470~510MHz ≤ 2.5
8. 标▼尺寸为重点管控尺寸
9. 产品表面无纸屑、脏污、划痕、破损、油污等不良;
10. 此零件所包含环境管理物质应符合科信成系统文件QW-QA-10之规定

⑧	热缩套管 L15*φ3.5mm 黑色PVC	1PCS	
⑦	护套 L10*φ3.5mm 黑色 PET	1PCS	
⑥	弹簧 L170*φ1.6mm 碳钢 镀黑锌	1PCS	
⑤	螺柱 L14*φ6mm BRASS 镀黑锌	1PCS	
④	胶垫 φ29mm 黑色 PET	1PCS	
③	底座 L28.3*φ29mm 黑色 ABS	1PCS	
②	CABLE RG-174 CABLE, Black, 50Ω	1PCS	
①	CONNECTOR SMA PLUG STAIGHT for RG-174 CABLE	1PCS	
NO	PARTNAME	DESCRIPTION	Q' TY

TOLERANCES UNLESS OTHERWISE SPECIFIED				科信成精密技术 (江苏) 有限公司 COCENTRA PRECISION TECHNOLOGY (JIANGSU) Co. LTD.					
X.	±0.20	X.°	±2°	SERIES:		TITLE: CCT-XP-15029			
.X	±0.15	.X°	±1°	APPD:		PART No.:			
.XX	±0.10	.XX°	±0.5°	CKD:		DWG No.:			
THESE DRAWINGS AND SPECIFICATIONS ARE THE PRIOR WRITTEN CONSENT OF COCENTRA PRECISION TECHNOLOGY (JIANGSU) Co. LTD. AND SHALL NOT BEREPRODUCED. COPIED OR USED IN ANYMANNER WITHOUT THE PRIOR WRITTEN CONSENT OF COCENTRA PRECISION TECHNOLOGY (JIANGSU) Co. LTD.				UNITS	MAT'L	FINISH	SCALE	SHEET	REV.
				MM	N/A	N/A	1:1	1/1	A